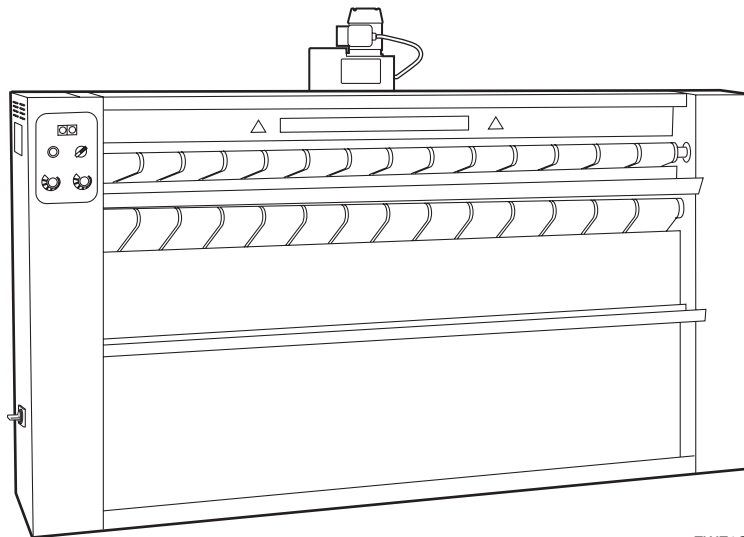


Roll Heated Flatwork Finisher

140 mm (8 inch) Roll Models
Refer to Page 2 for Model Identification



FWF1C

— Installation/Operation Supplement —

Keep These Instructions for Future Reference.

(If this machine changes ownership, this manual must accompany machine.)



Table of Contents

- Model Identification** 2
- Safety Information**..... 3
- Installation**..... 5
 - Overall Dimensions and Connecting Data 6
 - Location Requirements 7
 - Lifting the Finisher 8
 - Moving the Finisher with Rollers 9
 - Electrical Connection..... 10
 - Exhaust Requirements 10
 - First Start-Up 11
- Operation**..... 12
 - Operating Instructions for Microprocessor Models..... 12
 - Operating Controls..... 12
 - Pre-Operating Procedures 13
 - Operating Instructions 13
 - Operating Instructions for Electromechanical Models 15
 - Operating Controls..... 15
 - Pre-Operating Procedures 16
 - Operating Instructions..... 16
 - Breakdown Procedures 17
 - Alarms 18
 - Emergency Safety Bar 18
 - Thermal Warning Fan 18
 - Speed Regulator Alarm..... 18
 - Overheating or Sensor Not Connected 18
- Disposal of Unit**..... 19

© Copyright 2007, Alliance Laundry Systems LLC
 All rights reserved. No part of the contents of this book may be reproduced or transmitted in any form or by any means without the expressed written consent of the publisher.


Model Identification



Information in this manual is applicable to the following models:

UD08F055


Safety Information

NOTE: This manual is only a supplement. Refer to Installation/Operation manual for full instructions.

	WARNING
	<p>Electrical hazard inside.</p> <p>Can cause death or serious injury.</p> <p>Turn off and lockout/tag out all electrical power before opening.</p>
	W536

	WARNING
	<p>Toxic and fire hazards.</p> <p>Machine produces gases, fumes, and lint which may be toxic or catch fire and could result in serious injury or death.</p> <p>Vent exhaust outdoors and regularly clean lint away from machine.</p>
	W539

	WARNING
	<p>Moving parts hazard.</p> <p>Can cause serious injury.</p> <p>Do not operate unless all guards and covers are in place.</p> <p>Do not put hands/fingers beyond guard/cover.</p>
	W537

	WARNING
	<p>Burn and crash hazards.</p> <p>Push red finger guard bar daily to test. If finisher does not stop, do not use.</p> <p>Turn off and lockout/tag out all power until repaired.</p>
	W540

	WARNING
	<p>Burn hazards.</p> <p>Contact with machine components or hot goods can burn you.</p> <p>Do not operate unless all guards are in place.</p> <p>Use care when handling recently processed or dried goods.</p>
	W538



WARNING

- **Failure to install, maintain, and/or operate this machine according to the manufacturer's instructions may result in conditions which can produce serious injury, death, and/or property damage.**
- **Do not repair or replace any part of the machine or attempt any servicing unless specifically recommended or published in this Installation/Operation Manual and that you are qualified to carry out.**
- **Whenever ground wires are removed during servicing, these ground wires must be reconnected to ensure that the machine is properly grounded and to reduce the risk of fire, electric shock, serious injury, or death.**

W566

Installation

NOTE: This manual is only a supplement. Refer to Installation/Operation manual for full instructions.

IMPORTANT: Warranty is void unless the finisher is installed according to instructions in this manual. Installation should comply with minimum specifications and requirements detailed in this manual, municipal building codes, water supply regulations, electrical wiring regulations, and any other relevant statutory regulations. Due to varied requirements, applicable local codes should be thoroughly understood and all pre-installation arranged accordingly.

	WARNING
To prevent fire, explosion, or personal injury, this finisher may only be installed, adjusted, and started up by a team of qualified technicians.	
<p style="text-align: right;">W543</p>	

It is strongly recommended that the purchaser be present during installation and the first tests.

Overall Dimensions and Connecting Data

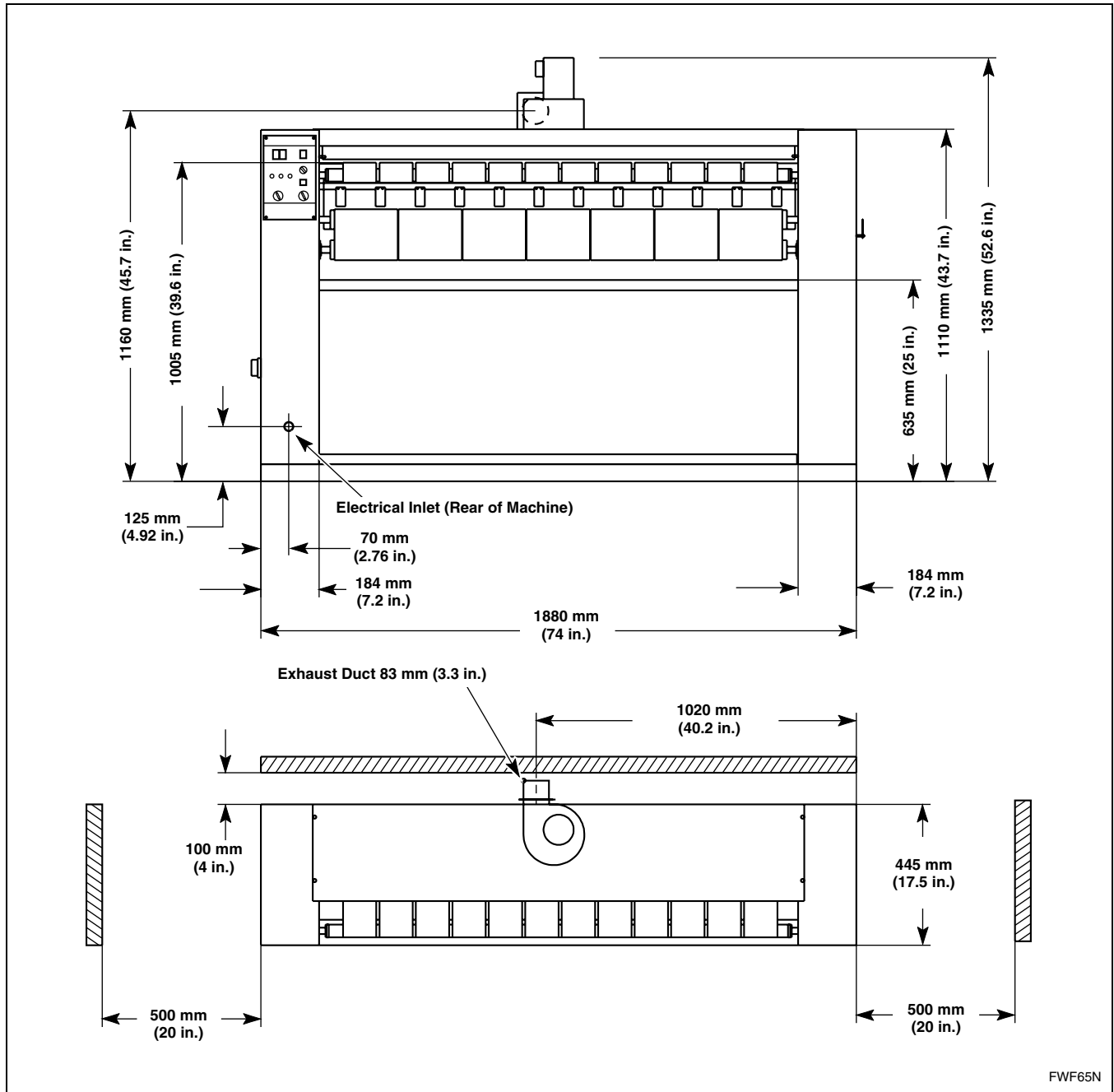



Figure 1

Model Weight
180 Kg (396 lbs.)

Location Requirements

NOTE: This manual is only a supplement. Refer to Installation/Operation manual for full instructions.

	WARNING
<p>To prevent fire, explosion, or personal injury, this finisher may only be installed, adjusted, and started up by a team of qualified technicians.</p>	
W543	

IMPORTANT: Transport finisher on skid until near area of desired installation. Reasonable care should be taken during installation.

Finisher is shipped with manual crank located on tray. Be certain to keep manual crank near machine for easy access.

To assure compliance, consult and adhere to building code requirements and comply with the following:

- The finisher must be installed in a very well ventilated room with correct lighting and an ambient temperature in the range from 0°C (32°F) to + 40°C (104°F).
- The floor must at least be able to support 732 kg/m² (150 lbs./ft²) for the installation of the finisher.
- The finisher **MUST NOT** be installed or stored in an area where it will be exposed to water and/or weather.

Sufficient space must be left around the finisher to allow for its correct functioning.

- Allow at least 102 mm (4 inches) in the back to allow for ventilation.
- Allow 508 mm (20 inches) on each side for upkeep and maintenance.
- Allow sufficient space in front so that the operator can work efficiently and safely.

Lifting the Finisher

NOTE: This manual is only a supplement. Refer to Installation/Operation manual for full instructions.

The finisher should be moved with a forklift as close as possible to the area where it will be installed.

IMPORTANT: DO NOT lift finisher with slings.

1. Position the forklift arms beneath the center of the unit (NOT toward either end) to lift the finisher at its center of gravity.

IMPORTANT: Lifting the finisher from either side could cause misalignment and/or damage to the finisher.

2. Adjust the forklift arms to their maximum length and width and insert them all the way under the center of the skid. Refer to *Figure 2*.

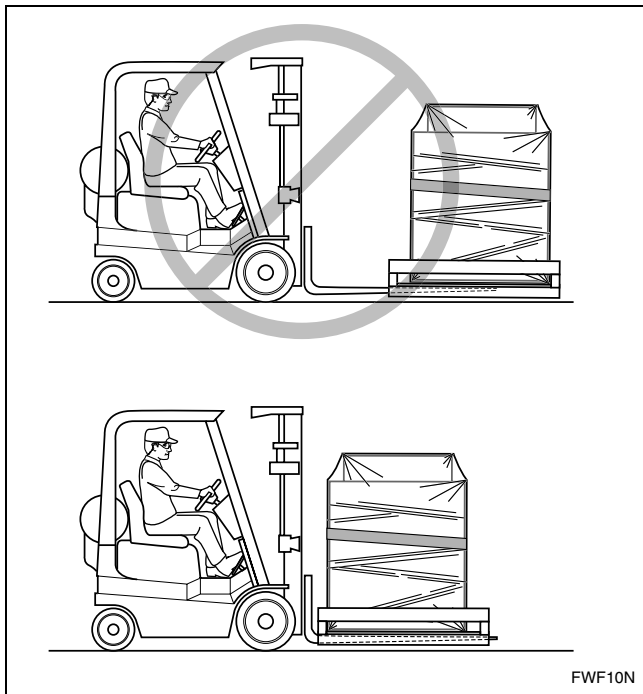


Figure 2

3. Use the forklift to carefully lift the packaged finisher. Refer to *Figure 3*.

IMPORTANT: DO NOT lift the unit more than 203 mm (8 inches) off the ground.

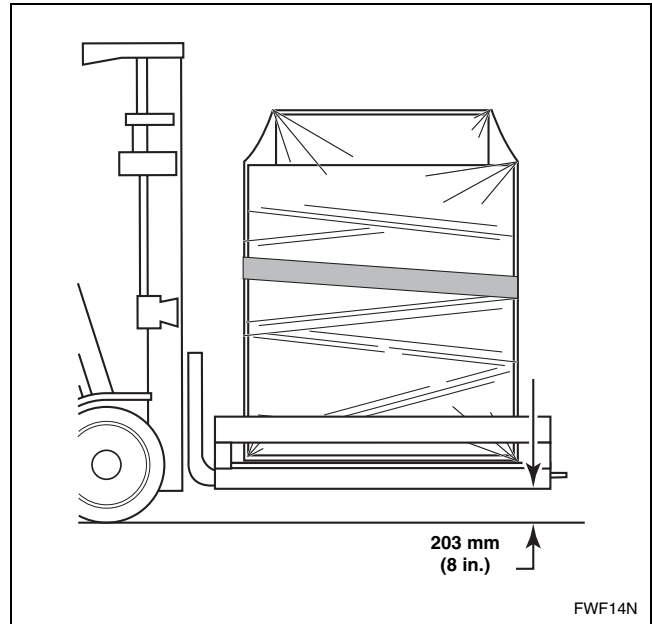


Figure 3

4. Move the packaged unit as close as possible to the area where the finisher will be installed. Follow the procedures in *Moving the Finisher with Rollers* section.

IMPORTANT: DO NOT turn the finisher over or let it drop when handling.

Moving the Finisher with Rollers

NOTE: This manual is only a supplement. Refer to Installation/Operation manual for full instructions.

IMPORTANT: At least three people and three 89 mm (3.5 inch) to 102 mm (4 inch) rollers or pipes are required to move the finisher from the skid to its final location. Proper lifting and handling procedures must be followed to avoid damage to the finisher.

1. Remove the protective packing material.
2. Use a pry bar to remove the wood stop from the skid. Refer to *Figure 4*.

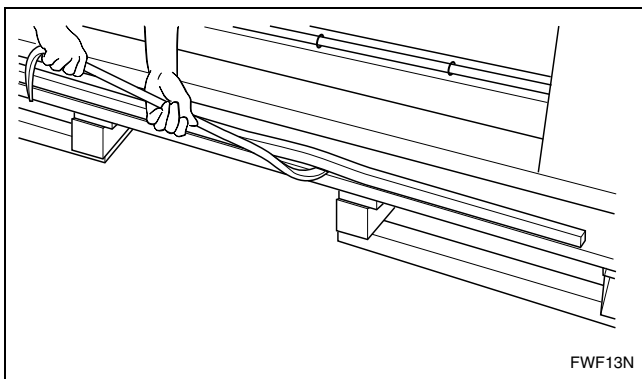


Figure 4

3. Remove the two shipping bolts from the bottom of the finisher.
4. Place two rollers on the ground next to the finisher. Refer to *Figure 5*.
5. Place the third roller on the ground ahead of the first two rollers and past the end of the finisher.
6. Slowly lower the finisher off the skid and onto the first two rollers. Keep the unit level. Refer to *Figure 5*.

IMPORTANT: DO NOT let go of the finisher at any point in the moving process.

NOTE: If the distance between the skid and the rollers is too far to move the finisher safely onto the rollers, make another “step” by placing blocks of wood between the skid and the rollers. Gradually step the finisher down onto the blocks of wood and then again onto the rollers.

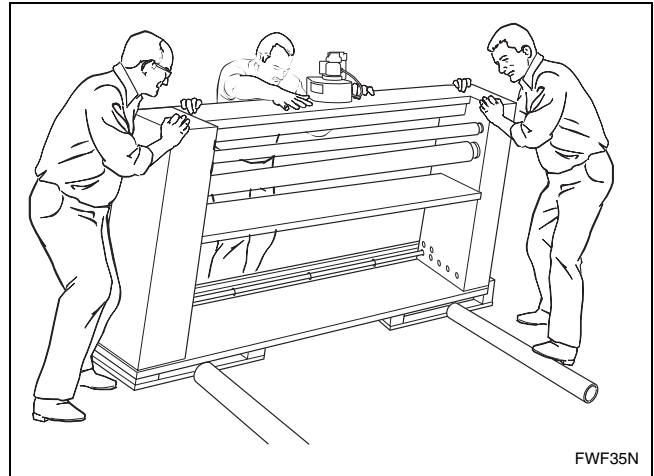


Figure 5

7. Slowly roll the finisher forward. Refer to *Figure 6*.

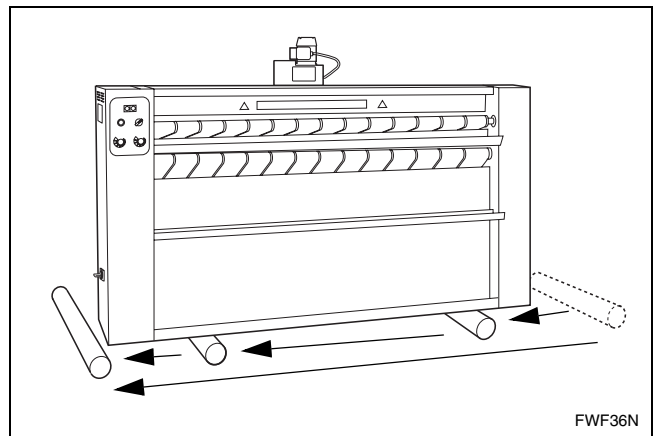


Figure 6

8. Level the finisher.

Electrical Connection

Electrical connections should be made by a qualified electrical contractor in accordance with all applicable local and national requirements. A differential circuit breaker (obtain locally), correctly sized for the power consumption of the finisher, must be installed near finisher. Refer to *Table 1* for cable diameters.

IMPORTANT: Electrical specifications in *Table 1* are subject to change without notice. Always refer to product serial plate for most current specifications of product being installed.

NOTE: Use copper conductors only.

NOTE: Connect to individual branch circuit.


Electric Models			
Serial Plate Rating	Wire Size	Breaker Size	Full Load Amps
208/240/60/3*	3 x 10 AWG (3 x 6 mm ²)	50	37
230/50/3	4 x 10 AWG (4 x 6 mm ²)	50	37
400/50/3+N	5 x 14 AWG (5 x 4 mm ²)	30	24

Table 1

* **Electric models:** For areas with 440/480/60/3 electrical requirement, install 208/240/60/3 finisher and use a remote transformer (obtain locally).

Exhaust Requirements

NOTE: This manual is only a supplement. Refer to Installation/Operation manual for full instructions.

	WARNING
<p>Finisher produces combustible lint. To reduce the risk of fire, the finisher must be exhausted to the outdoors.</p> <p>To reduce the risk of fire and accumulation of combustible gases, DO NOT exhaust finisher air into a window well, gas vent, chimney or enclosed, unventilated area such as an attic wall, ceiling, crawl space under a building, or concealed space of a building.</p>	
W545	

IMPORTANT: Provisions must be made for make-up air.

The air flow necessary for combustion is 300 m³/m (175 cfm).

The exhaust outlet on the finisher has a diameter of 83 mm (3.25 inches). Using the shortest possible path, connect the exhaust outlet to an outlet duct.

IMPORTANT: Outlet ducts used for finisher's exhaust may under no circumstances be shared with other devices.

First Start-Up

1. Verify that the finisher is stable and level.
2. Check that all connections and exhausts are correctly established.
3. Check that the finisher is properly grounded.
4. Remove wax paper from cylinder, if applicable.
5. Inspect thermometer holder and make sure it is touching the cylinder. Refer to *Thermostat Inspection* section.
6. Check that all controls are in position O (OFF) and that the speed regulator knob is set to the minimum position.
7. Turn the circuit breaker to position 1 (ON).
8. On electromechanical models, press the green Power On button and hold for 1 to 2 seconds.
On microprocessor models, press START keypad.
9. Check that the exhaust fan is rotating in the direction indicated by the arrow shown on the fan. If exhaust fan is rotating in wrong direction, the electrical connection at L1, L2 or L3 terminals must be changed.
12. Turn the heat switch to position 1 (ON).
13. Check that the temperature of the finisher rises.
14. Adjust the temperature selection knob according to the type of fabric and dampness level of the material being ironed.
15. When the ironing cylinder reaches the selected temperature and the heat indicator light turns off, proceed to perform an ironing test.

NOTE: The cylinder is coated with wax when leaving the factory, so perform a first ironing test using worn linen.

16. Place the worn linen flat on the input tray and allow it to be pulled into the finisher by the feeding ribbons.
17. Adjust the speed by turning the speed regulator knob left to reduce speed or right to increase speed.
18. Make sure that the sample linen comes out completely dry and with a perfect sheen. If it doesn't, either increase the temperature or reduce the ironing speed.

IMPORTANT: Finisher will not heat if exhaust fan is not rotating in proper direction.

10. Check that the feeding ribbons are rotating in the direction toward the interior of the finisher.

IMPORTANT: Take care not to touch or go near a moving part.

11. Place all panels back on the finisher.

Operation

Operating Instructions for Microprocessor Models

Operating Controls

	WARNING
<p>To avoid serious injury BEFORE operating flatwork finisher, ALL personnel MUST be trained on safe operation.</p>	
W546	

	WARNING
<p>To avoid possible serious injury, ALWAYS read and become familiar with operating instructions before operating flatwork finisher.</p>	
W547	

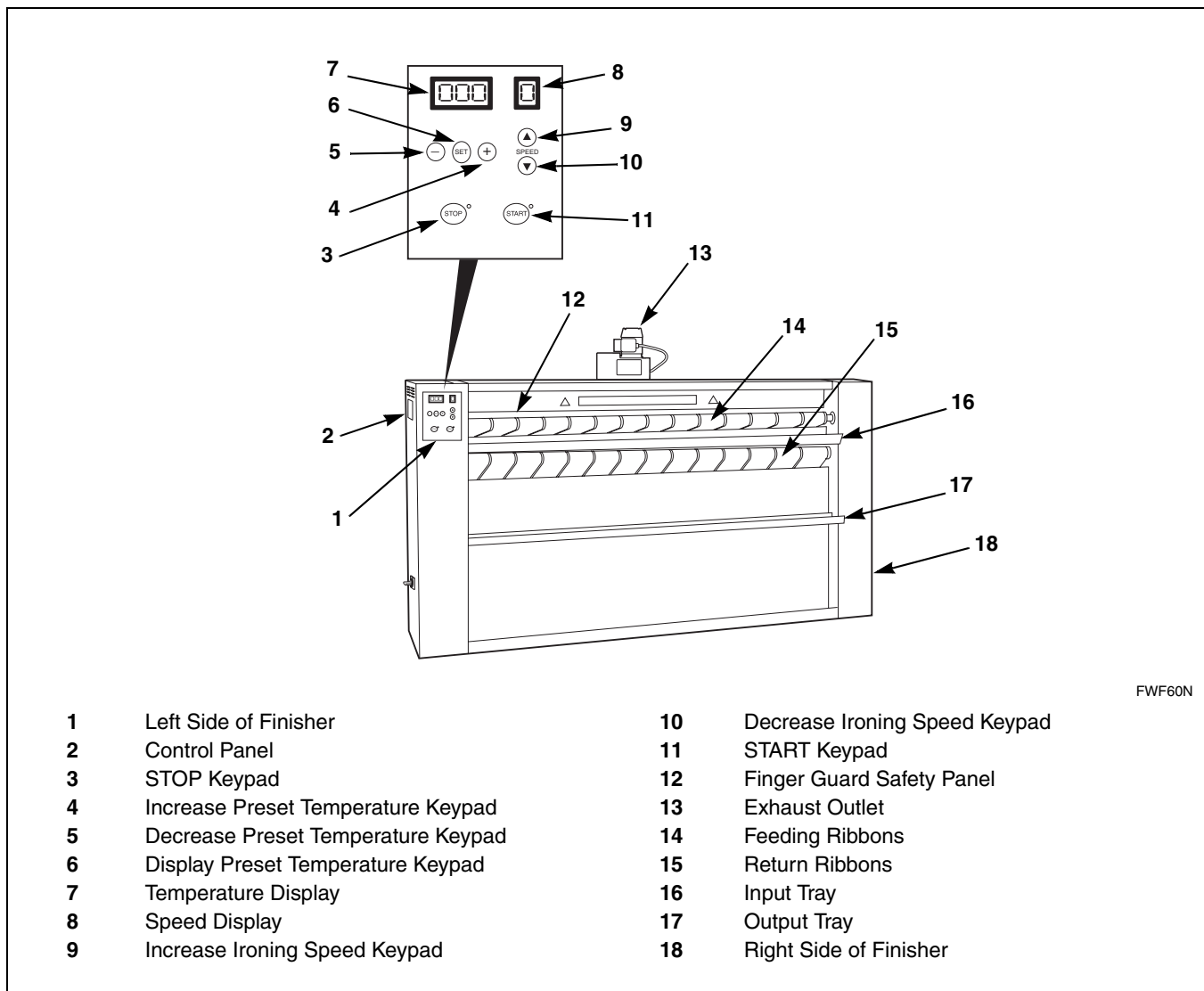


Figure 7

Pre-Operating Procedures

NOTE: All maintenance must always be carried out when the machine is stopped, the cylinder is cold, and the circuit breaker is turned off.

Perform the following procedures daily before starting the finisher.

1. Inspect the area between the thermostat and the cylinder by gently pressing on the thermostat holder so the thermostat lifts up.
2. Clean area if debris is present.
3. Check that the thermostat holder touches the cylinder.

Operating Instructions

To identify the finisher's controls, refer to *Figure 7*.

IMPORTANT: The flatwork finishers are for professional use and must be operated by qualified personnel.

1. Perform Pre-Operating Procedures.
2. Press START keypad. Indicators will light, current temperature and preset speed will be displayed, blower fan starts, cylinder rotates, and after 15 seconds, the finisher will begin to heat.
3. Check that the feeding ribbons are rotating in direction toward interior of finisher.
4. Check the operation of the finger guard safety panel by touching the panel. If finisher does not stop, press STOP keypad, discontinue use and call a qualified service person.
5. Press START keypad.

6. Choose an ironing speed between 1 and 7 by pressing either the increase ironing speed or decrease ironing speed keypads. The current speed is displayed in the speed display. The current speed does not need to be reset after power failure.

When finisher is started, if the preset speed is set between 1 and 7, the cylinder will rotate at speed 1, regardless of the preset speed, while the detected temperature remains below the preheat operating temperature (130°C [266°F] by default). Once the preheat operating temperature has been reached, the preset speed will be activated. If the temperature drops below the preheat operating temperature during operation, the speed will readjust to speed 1.

NOTE: To perfectly dry and put sheen on the laundry, the speed must be adjusted according to the type of fabric and dampness level of the material being ironed.

7. View preset temperature by pressing SET keypad. Adjust temperature by pressing increase preset temperature keypad or decrease preset temperature keypad according to the type of fabric and dampness level of the material being ironed. The new temperature is stored after three seconds.

Temperature display will then display current temperature. The maximum temperature value is established by the manufacturer.

NOTE: The heat will turn on and off while finisher is heating.

8. View temperature display. For best performance, begin ironing a few degrees before preset temperature is reached (for example, if preset temperature is 176°C [350°F], begin ironing at 173°C [345°F]). Refer to Installation/Operation manual for information on heating the cylinder.

IMPORTANT: The working temperature varies depending on the fabric being ironed but must never exceed a constant temperature of 180°C (356°F).

9. Place the linen flat on the input tray and allow it to be automatically pulled into the finisher by the feeding ribbons. Refer to Installation/Operation manual for information on adjusting tension of the feeding and return ribbons.

Installation/Operation Supplement

10. When the work is almost completed, press the STOP keypad. Finisher will stop automatically when the temperature of the cylinder is less or equal to the programmed stop temperature (default is 80°C [176°F]).

IMPORTANT: Never remove power from the machine when the temperature is equal to or higher than 80°C (176°F). This may cause damage to the feeding and return ribbons. Refer to *Breakdown Procedures* section for steps required when power failure occurs.

IMPORTANT: When ironing smaller sized articles, make sure to work along the length of the finisher, maintaining a consistent usage of each of the return ribbons. Doing this will prolong the life of the return ribbons.

11. Remove the finished linen from the output tray.
12. Hang or fold ironed linen as soon as possible to preserve finish.

IMPORTANT: Do not leave damp linen in the finisher as this will cause the cylinder to rust.

Operating Instructions for Electromechanical Models

Operating Controls

WARNING

To avoid serious injury **BEFORE** operating flatwork finisher, **ALL** personnel **MUST** be trained on safe operation.

W546

WARNING

To avoid possible serious injury, **ALWAYS** read and become familiar with operating instructions before operating flatwork finisher.

W547

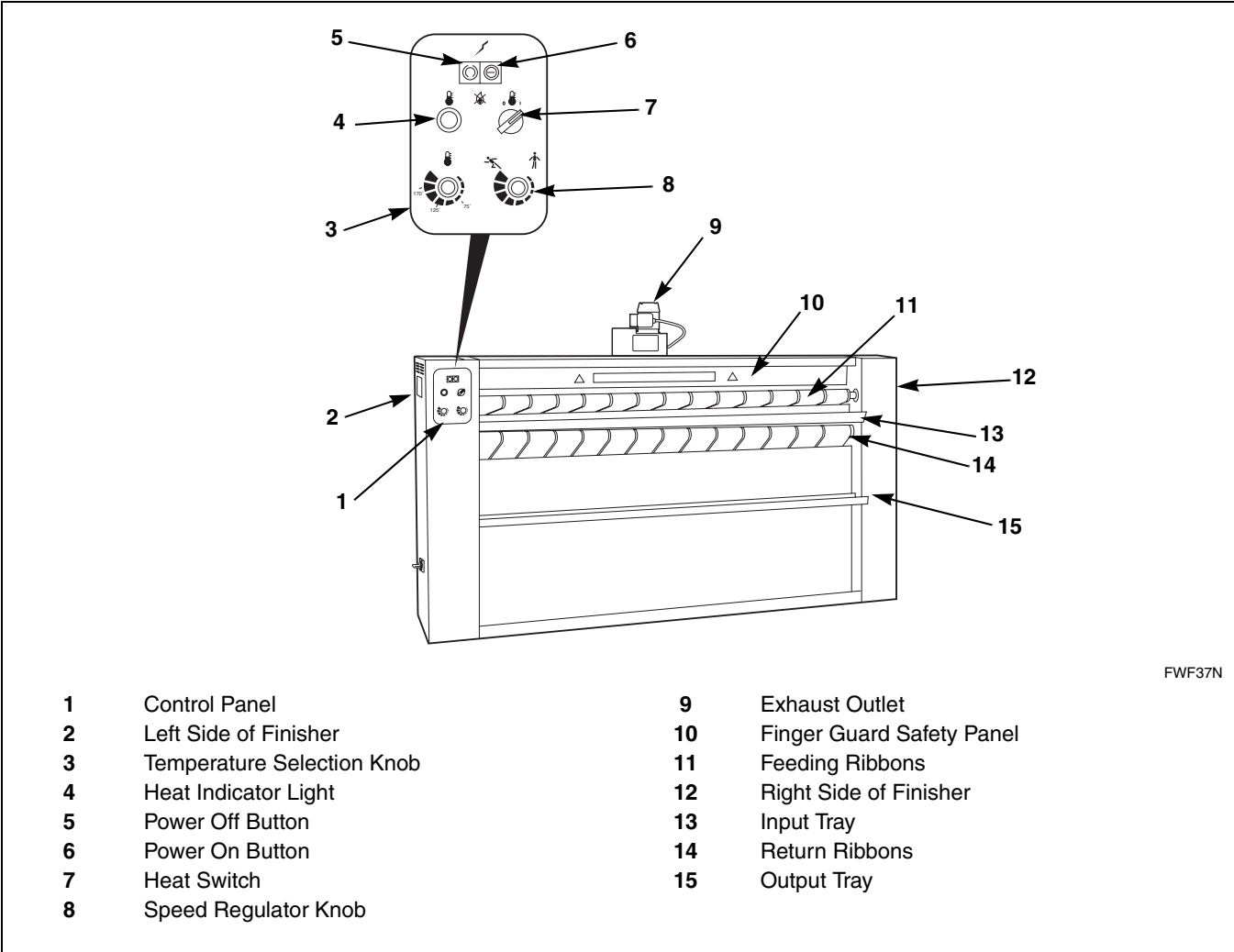


Figure 8

Pre-Operating Procedures

NOTE: All maintenance must always be carried out when the machine is stopped, the cylinder is cold, and the circuit breaker is turned off.

Perform the following procedures daily before starting the finisher:

1. Inspect the area between the thermostat and the cylinder by gently pressing on the thermostat holder so the thermostat lifts up.
2. Clean area if debris is present.
3. Check that the thermostat holder touches the cylinder.

Operating Instructions

To identify the finisher's controls, refer to *Figure 8*.

IMPORTANT: The flatwork finishers are for professional use and must be operated by qualified personnel.

1. Perform Pre-Operating Procedures.
2. Check that all controls are in position 0 (OFF), and that the speed regulator knob is set to the minimum position.
3. Turn the circuit breaker to position 1 (ON).
4. Press the green Power On button and hold down for 1 to 2 seconds.
5. Check that the feeding ribbons are rotating in direction toward interior of finisher.
6. Check the operation of the finger guard safety panel by touching the panel. If finisher does not stop, press Power Off button, discontinue use and call a qualified service person.
7. Press the green Power On button and hold down for 1 to 2 seconds.
8. Turn the heat switch to position 1 (ON).
9. Adjust the temperature selection knob according to the type of fabric and dampness level of the material being ironed.

Mark 1: from 100°C (212°F) to 130°C (266°F)

Mark 2: from 130°C (266°F) to 160°C (320°F)

Mark 3: from 160°C (320°F) to 180°C (356°F)

10. Wait until the ironing cylinder reaches a temperature close to the selected temperature. The heat indicator light turns off when the required temperature is reached.

IMPORTANT: The working temperature varies depending on the fabric being ironed but must never exceed a constant temperature of 180°C (356°F).

11. Place the linen flat on the input tray and allow it to be automatically pulled into the finisher by the feeding ribbons. Refer to Installation/Operation manual for information on adjusting tension of the feeding and return ribbons.
12. Turn the speed regulator knob left to reduce speed or right to increase speed.
 - Left = Reduce Speed
 - Right = Increase Speed

NOTE: To perfectly dry and put sheen on the laundry, the speed must be adjusted according to the type of fabric and dampness level of the material being ironed.

13. When the work is almost completed, turn the heat switch to position 0 (OFF) about 20 minutes before finishing ironing to allow the cylinder to cool gradually. Once the ironing has been completed, allow the finisher to continue to run for about 20 to 30 minutes to allow to dry.

IMPORTANT: Never stop the machine when the temperature is equal to or higher than 80°C (176°F). This may cause damage to the feeding and return ribbons.

IMPORTANT: When ironing smaller sized articles, make sure to work along the length of the finisher, maintaining a consistent usage of each of the return ribbons. Doing this will prolong the life of the return ribbons.

14. Remove the finished linen from the output tray.
15. Hang or fold ironed linen as soon as possible to preserve finish.

IMPORTANT: Do not leave damp linen in the finisher, as this will cause the cylinder to rust.

16. Press the red Power Off button to shut down the finisher.

Breakdown Procedures

Hot Finisher Stops Due to Power Failure

To separate the return ribbons from cylinder immediately:

1. Insert the crank into the opening located on the right panel of the finisher.
2. Turn the crank clockwise to rotate the cylinder. Refer to *Figure 9*.
3. Insert a thick and very wet cloth (hardly wrung dry) into the finisher while rotating the cylinder with the crank.

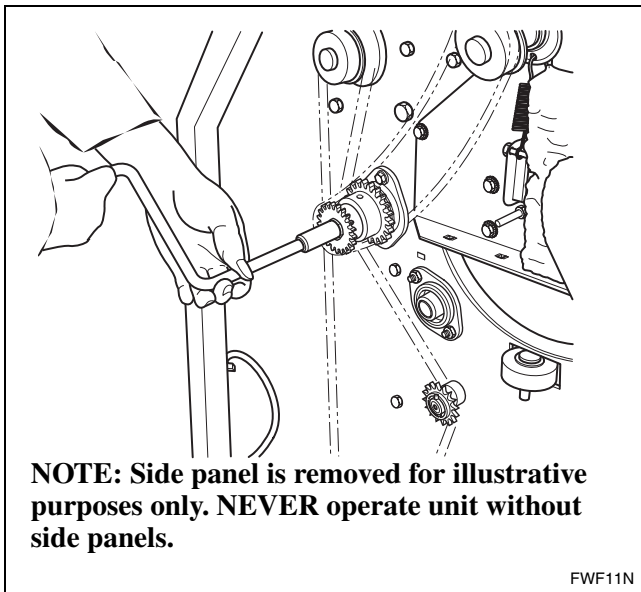


Figure 9

Finisher Won't Start or Stops Suddenly

If the finisher won't start and the cylinder won't rotate or has stopped suddenly, check if finger guard safety panels or manual crank safety switch are activated. Release the activated emergency stops, and immediately start the finisher again by pressing the green Power On button to prevent damage to return ribbons.

Unusual Noises and Other Issues

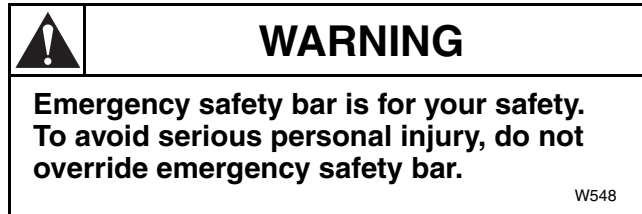
If the finisher makes unusual noises (rubbing, banging, etc.), or for any other problem contact a qualified service person immediately.

Alarms

(Microprocessor Models Only)

An alarm will sound for abnormal conditions as shown below.

Emergency Safety Bar



When the emergency safety bar is activated, the finisher automatically turns off, the alarm sounds for one minute and display shows AL2.

Alarm is cancelled by moving emergency safety bar to normal position and restarting finisher or turning machine off and on.

Thermal Warning Fan

When the thermal relay of the fan is activated, the alarm sounds for one minute and display shows AL4. The fan and heating are switched off and finisher remains on. This alarm is usually caused by dirt on the fan.

Alarm is automatically cancelled when the thermal relay is closed or finisher is turned off.

Speed Regulator Alarm

When the speed regulator alarm is activated, the alarm sounds for one minute and display shows AL5.

Finisher will automatically turn off. This fault condition may be due to an overload of the cylinder motor caused by a thick object inside the finisher or by dirt in the cylinder motor. Alarm is cancelled by restarting finisher or turning finisher on and off.

Overheating or Sensor Not Connected

If the temperature sensor is broken, not connected or if sensor detects a temperature above 210°C (410°F) continuously for two seconds, the alarm sounds for one minute and display shows AL7. The finisher will continue to operate. Alarm can be cancelled by turning finisher off.

Disposal of Unit

This appliance is marked according to the European directive 2002/96/EC on Waste Electrical and Electronic Equipment (WEEE).

This symbol on the product or on its packaging indicates that this product shall not be treated as household waste. Refer to *Figure 10*. Instead it shall be handed over to the applicable collection point for the recycling of electrical and electronic equipment. Ensuring this product is disposed of correctly will help prevent potential negative consequences for the environment and human health which could otherwise be caused by inappropriate waste handling of this product. The recycling of materials will help to conserve natural resources. For more detailed information about recycling of this product, please contact the local city office, household waste disposal service, or the source from which the product was purchased.

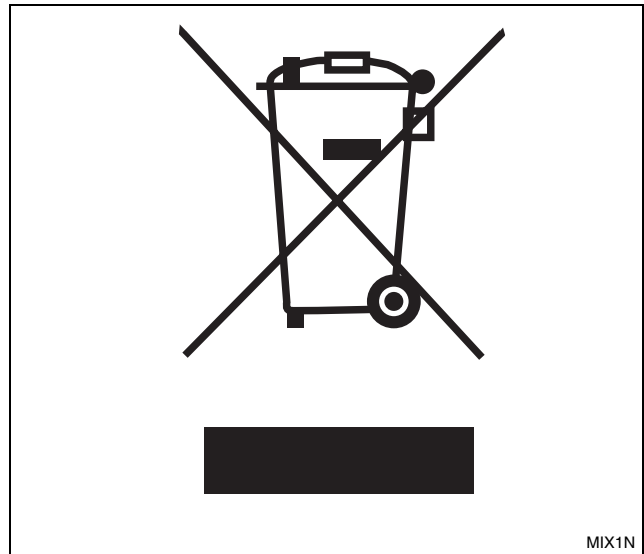


Figure 10

